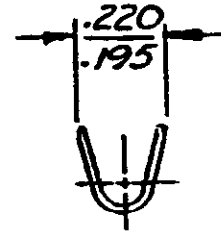
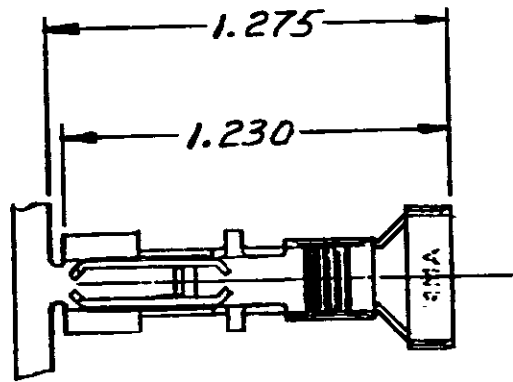


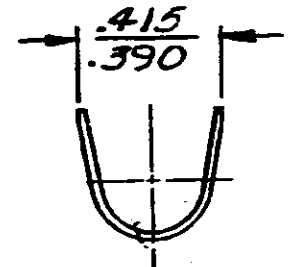
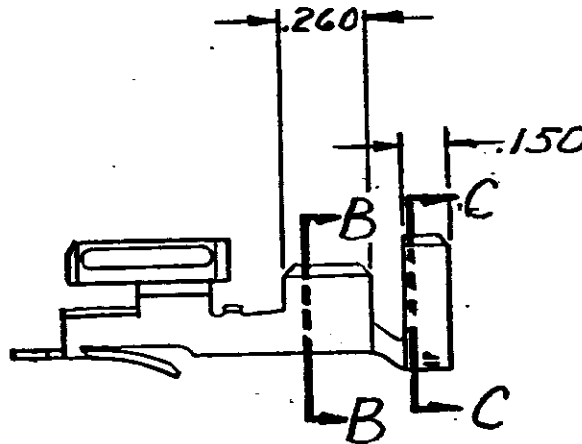
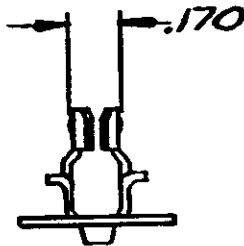
DRAWING MADE IN AMERICAN PROJECTION

197

NUMBER  
350650



SECT. B-B



SECT. C-C

DIMENSIONS IN INCHES. DO NOT SCALE PRINT.

H	WAS LOC CM, REVISED	S4141	7/28/87
G1	RESTORED		8/1/87
G	REV. PER. ECN CMIZI		9/15/87
F	REVISED MAKE	M-3272	6/16/76
E	REVISED M-3484	6/16/76	8/1/75
D	.170 WAS 165	M-3443	10/1/75
C	REVISED PER M-	3348	7/1/75
B	REVISED PER M-	3323	7/1/75
A	REVISED PER M-	1500	5-16-74
LTR	REVISION RECORD	ECN	DATE
DR	g. Ebn...	DE	Thom...
CHK		APP.	Thom...

PHOSPHOR BRONZE	350650-1
MATERIAL	PART NO.

© 1974 BY AMP INCORPORATED. ALL RIGHTS RESERVED. PRODUCTS COVERED BY PATENTS PENDING.

CUSTOMER COPY REFERENCE ONLY

FINISH	TIN	AMP INCORPORATED HARRISBURG, PENNA.
CLASS	H	
WIRE RANGE	12-BAWG	
INSULATION	.360 PWR	
TOLERANCE EXCEPT AS NOTED	± .015	SCALE H
LCC	S	NO 350650
REV	H	
NAME HERMAPHRODITIC HIGH CURRENT TERMINAL		

CUSTOMER DRAWING

PRINTED  
64